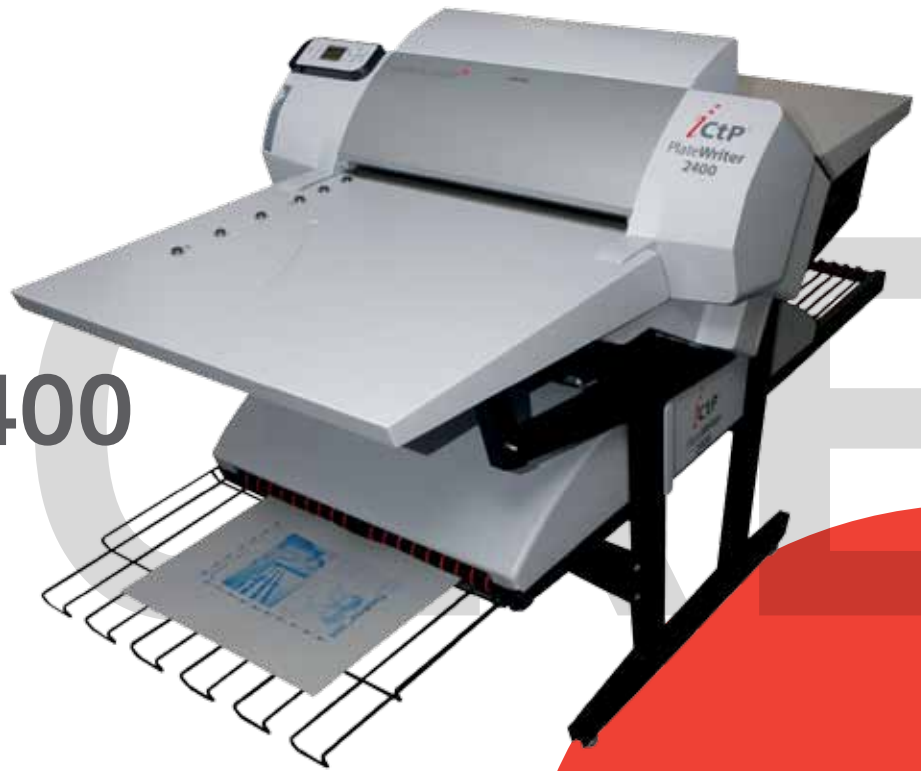


iCtP™

PlateWriter™ 2400

**MORE SIZES
MORE FORMATS
MORE VERSATILE**



Several years ago we launched our first iCtP™ PlateWriter™ systems. Now joining our second generation of iCtP™ systems the PlateWriter™ 2400 expands the range of plate sizes that can be supported. Enabling the PlateWriter™ to deliver press ready aluminium plates without the use of chemical processing, to a wider range of litho offset presses.

Setting new standards in the cost, flexibility and speed the PlateWriter™ 2400 delivers plates for all 2-up press and most 4-up presses by applying a patented Liquid Dot™ image on to non-photosensitive aluminium printing plates.

The imaged plates are then manually fed through an integrated finishing unit that dries the plates and bonds the liquid dots to the plate surface.

The PlateWriter™'s semi-automated plate registration system provides a versatile plate handling approach. This means multiple plate sizes and gauges can be used with no changes. Of course the real advantage of iCtP™ is reduced time making plates, and the fact that the accurate digital plates reduce "time to fit" on press, not to mention the daylight operation and chemistry free approach which makes iCtP™ the ideal low maintenance plate making solution.



The PlateWriter™ 2400 is powered by the industry standard Harlequin Postscript RIP. Accepting jobs from Mac or PC in Postscript, PDF, EPS, TIFF & JPEG formats - handling your job, ripping it and outputting it directly to the PlateWriter™.



The PlateWriter™ 2400 features a convenient plate alignment system which is semi-automated ensuring accurate registration and transport of your plates through the imaging engine.



The PlateWriter™ images in daylight and needs no processing chemistry as it uses advanced inkjet technology to add the image to your plate, eliminating any mess or fuss.



Easy to use - Imaging in front of your eyes on to non-photosensitive conventionally grained aluminium plates, the PlateWriter™ delivers a standard metal plate for your pressroom that requires no pressroom changes.



Imaged plates are fed through the integrated Finishing Unit, located below the Print Engine. This finishes the plates by drying and bonding the liquid dots to the plate surface. The Finishing Unit includes a built-in gumming station to apply a protective gum layer.

GLUNZ & JENSEN 

PLATESETTING • ICTP

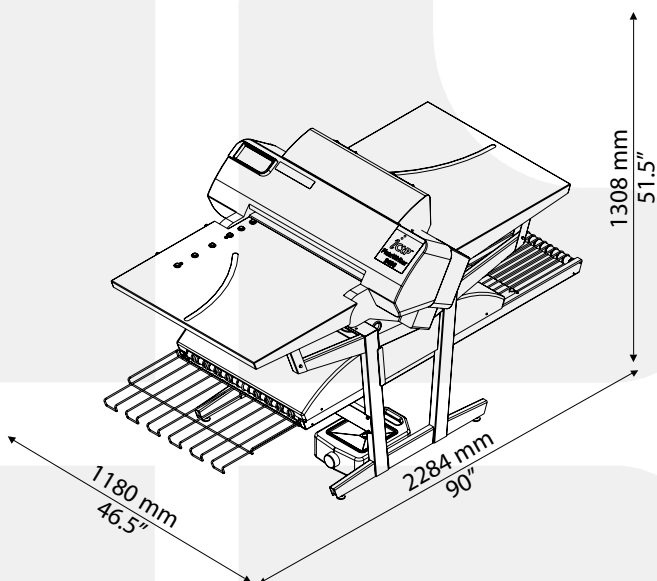
iCtP™ PlateWriter™ 2400

Technical specifications

Imaging device	1440 nozzle, delivering ultra high definition 2880 dpi
Imaging fluid	Patented Liquid Dot™ technology
Plate type	Uncoated grained and anodized aluminum plate, optimized for iCtP™ (All 1 and 2-up and a few 4-up formats)
Plate thickness	Aluminum 0.15 - 0.30 mm (0.006 - 0.012")
Plate width	203 - 619 mm (8.0 - 24.4")
Plate length	279 - 785 mm (11.0 - 30.9")
Max imaging size (W x L)	609 x 767 mm (24.0 x 30.2")
Plate finishing	Automated integral gumming system
Imaging resolution	1440 x 1440 dpi or 2800 x 2800 dpi
Imaging speed	6 - 10 B3 plates/hour @ max resolution (Dependent on plate format and image coverage)
Run length	50,000 impressions
RIP	Harlequin based RIP platform: 2 GB RAM, 100 BaseT ethernet with connectivity to MAC and PC environments
Screening	Stochastic screening, optimized for iCtP™ ensuring moiré free prints
Power supply	100 to 230 VAC, 50/60 Hz
Power consumption	Stand by: 0.3 kW Process: 3 kW
Operating environment	Temperature range 15 - 32°C (59 - 90°F); 20°C (68°F) or higher recommended
Humidity range	35 to 80% (no condensation)
Footprint (L x W x H)	2284 x 1180 x 1308 mm (90 x 46.5 x 51.5")
Weight	Crated: 306 kg (675 lbs) Non crated: 185 kg (408 lbs)
Standard equipment	PlateWriter high definition Inkjet Print Engine, finishing unit including baking, gumming and dryer system, feed and delivery table, stand for PlateWriter 2400, RIP workstation with Mac and PC connectivity, Harlequin based Xitron RIP with iScreening technology, basic colour proofing support for Epson 4800/4880, 7800/7880, 9800/9880, and fluid start-up kit.



NB: This brochure was printed on a Heidelberg® Speedmaster with plates created on a PlateWriter™ system.



GLUNZ & JENSEN

Headquarters:
 Glunz & Jensen A/S
 Haslevvej 13
 DK-4100 Ringsted
 Denmark
 Tel. +45 57 68 81 81
 Fax +45 57 68 83 40
 ictp@glunz-jensen.com

Glunz & Jensen, Inc.
 12633 Industrial Drive
 Granger, IN 46530
 USA
 Tel. +1 574 272 9950
 Fax +1 574 277 6566
 ictp@glunz-jensen.com

www.platewriter.com